

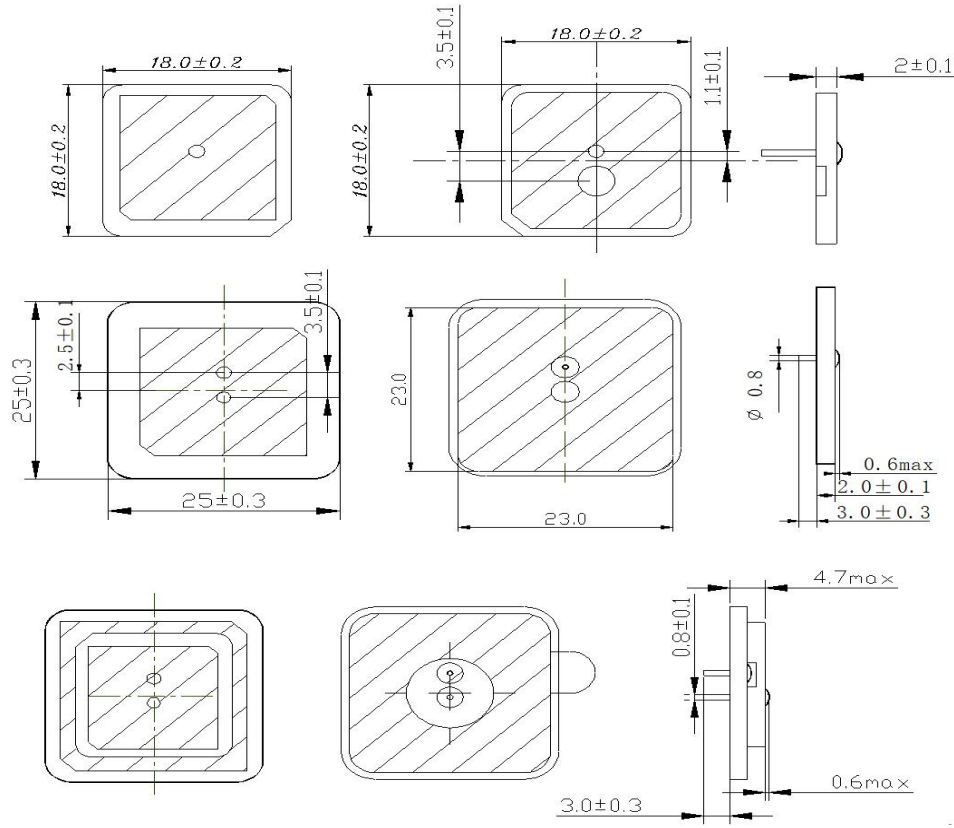


GLOBAL EAST ASIA TECHNOLOGY CO.,LIMITED

Ceramic Antenna

Part No: GL2518

Dimension



Items	Content	
Antenna Size (mm)	18*18*2(L1)	25*25*2(L5)
Nominal frequency (MHz)	1575.42±1.023	1176.45±1.023
Return Loss (dB)	<-14	<-14
Polarization	RHCP	RHCP
Impedance (Ω)	50	
Frequency Temperature Coefficient (ppm/deg.°C)	20 max	

Add: Room826, Floor 8,BLDG 13, University Science Park(East), Zhengzhou City, P.R.Henan, China.

Tel: 86-371-60911368 Email:info@global-antenna.com

Web: <http://www.asialeren.com> <http://www.global-antenna.com>