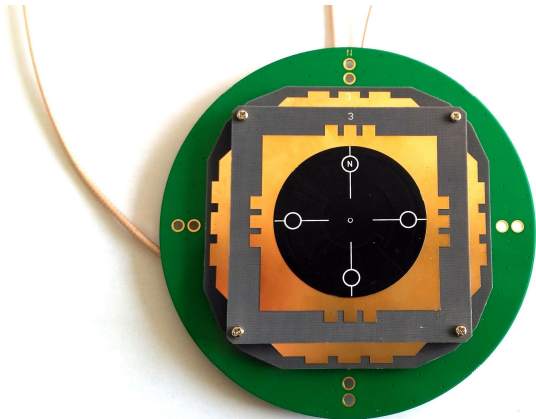


GLOBAL EAST ASIA TECHNOLOGY CO.,LTD

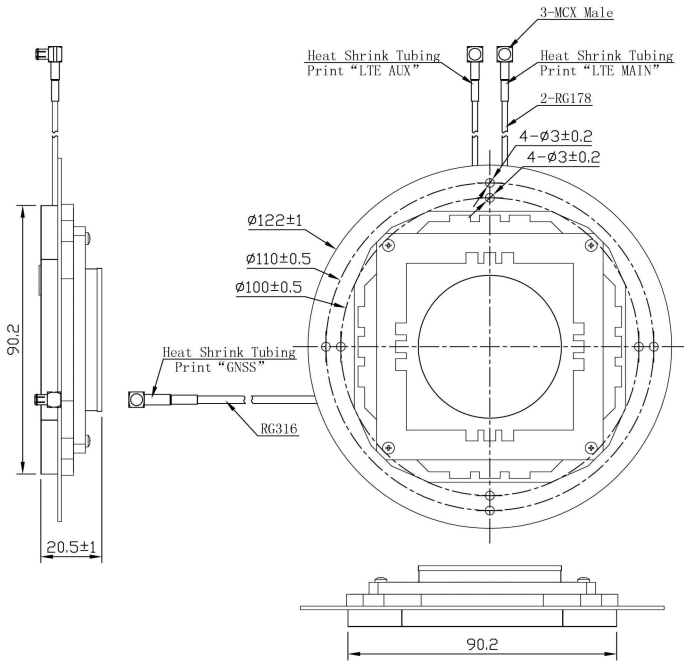
<https://www.global-antenna.com>

GNSS Surveying+LTE MIMO Combination Antenna

P/N: GL228LM



DIMENSIONS



Unit: mm

SPECIFICATIONS

Item		Specifications
GNSS Antenna	Frequency	GPS L1/L2 GLONASS G1/G2 COMPASS B1/B2/B3 Galileo E1/L1/E2/E5b/E6
	Polarization	RHCP
	Axial Ratio	≤3dB
	V.S.W.R	≤1.5
	Peak Gain	≥5dBi
	Impedance	50Ω
	Phase Center Error	±2mm
	Horizontal coverage angle	360°
GNSS Antenna LNA	Gain	40±2dB
	Noise Figure	≤1.5dB
	Passband fluctuation	±1dB
	Supply Voltage	3~12V DC
	Current Consumption	≤45mA
	V.S.W.R	≤2.0
LTE Antenna MIMO	Frequency Range	698~960MHz/1710~2690MHz
	Polarization	Linear
	Gain	MAIN:2.5dBi (Zenith) AUX:2.0dBi (Zenith)
	V.S.W.R	<3.0
	Impedance	50Ω
Mechanical	Connector	Fakra or others
	Cable	GNSS Antenna:RG316 LTEAntenna:RG178*2

	Radome Material	ABS
	Mounting Method	Screw or Embedded
Environmental	Operating Temperature	-40°C~+85°C
	Relative Humidity	Up to 95%
	Environmentally Friendly	ROHS Compliant