



Product name: 0.9m 2.4GHz Grid Parabolic Antenna

Product model: GL-DY2225V24

Applications:

2.4GHz, WLAN, WIFI Wireless System
Point-to-point, point-to-multipoint systems

Features:

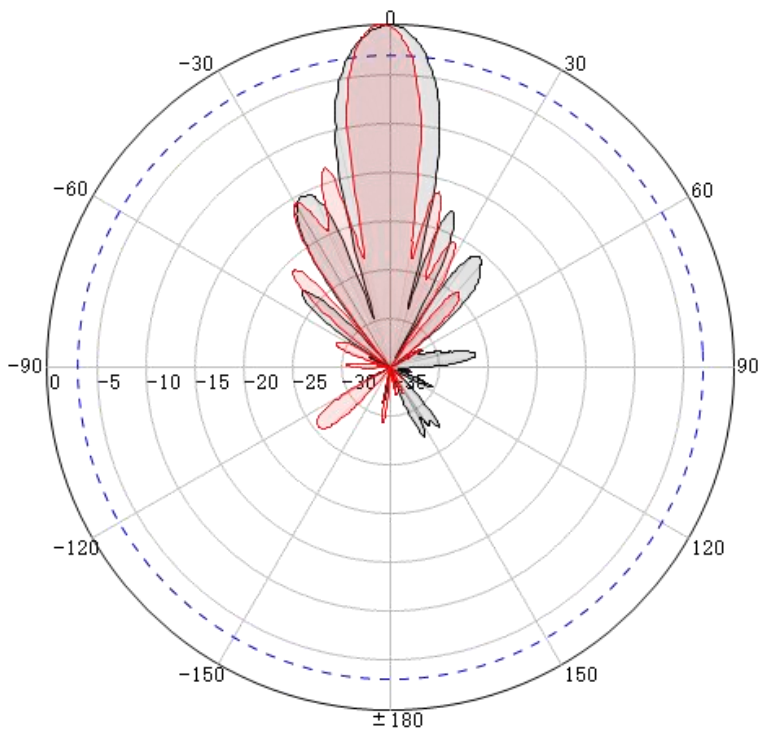
High gain, high front-to-back ratio
Anti-aging Surface Coati
High accuracy square grid parabolic dish

Product Specification

Electrical Specifications	
Frequency Range-MHz	2200-2500
Polarization	Vertical
VSWR	≤1.5
Gain-dBi	24
Horizontal beam width	7°
Vertical beam width	11°
Front-to-back ratio-dB	≥25
Input Impedance-Ω	50
Maximum input power-W	50
Lightning protection	DC Ground
Mechanical Specifications	
Input connector type	N female
Dimensions-m	0.9×0.6
Antenna weight-kg	2.5
Reflector material	Aluminum
Reflecting surface color	Gray
Mechanical tilt	0~20°
Operating temperature	-40°C to + 65 °C
Rated Wind Velocity-m/s	60
Mounting hardware - mm	Φ40~φ50



Radiation Pattern

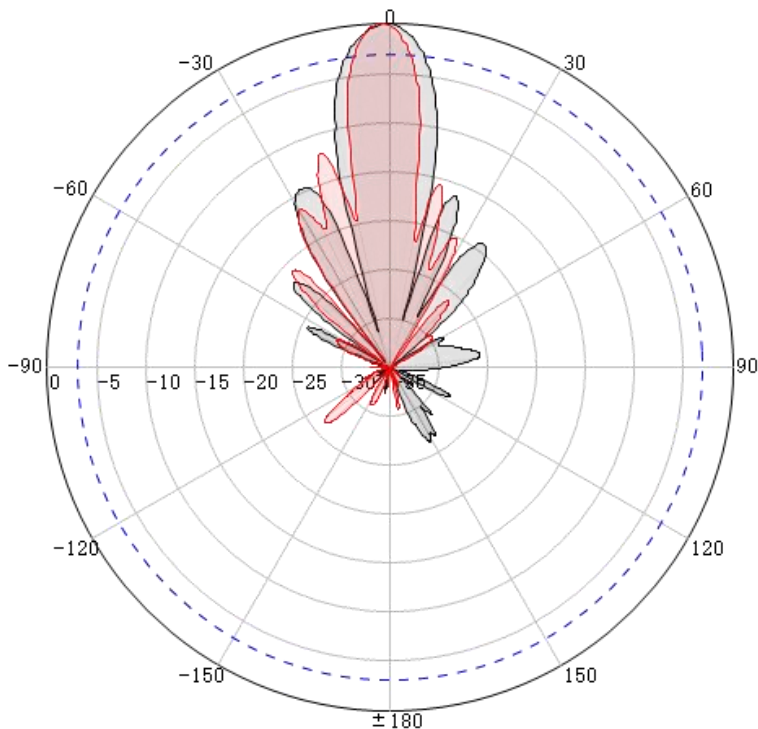


测试频率:2200MHz
测试平面:垂直面
峰值电平:-29.78dB
3dB宽度:14.21°
前后比值:26.97dB

测试频率:2200MHz
测试平面:水平面
峰值电平:-28.41dB
3dB宽度:10.31°
前后比值:29.26dB

Gain:23.90dBi

2200MHz



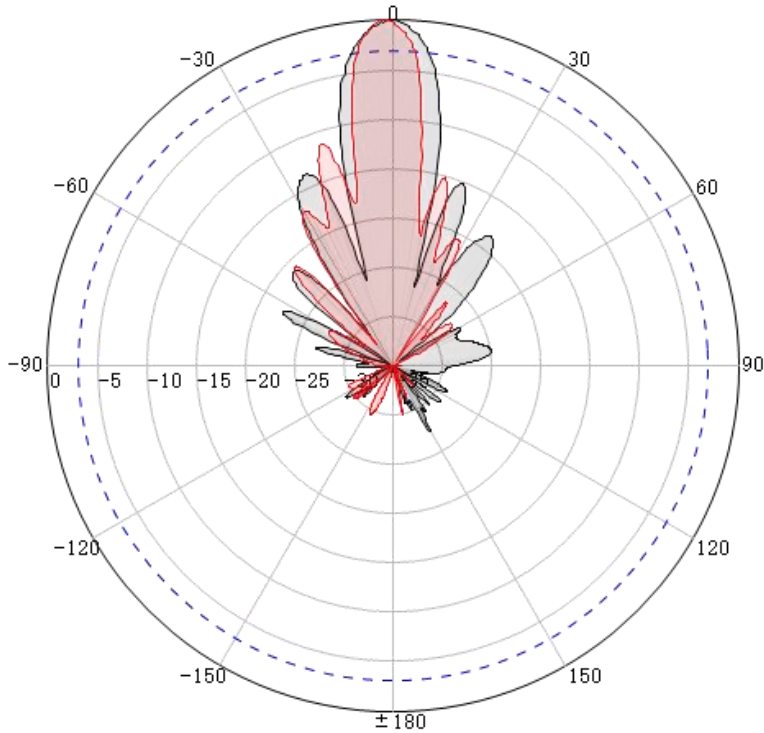
测试频率:2300MHz
测试平面:垂直面
峰值电平:-30.31dB
3dB宽度:14.16°
前后比值:26.29dB

测试频率:2300MHz
测试平面:水平面
峰值电平:-27.37dB
3dB宽度:10.19°
前后比值:30.65dB

Gain:23.97dBi



2300MHz

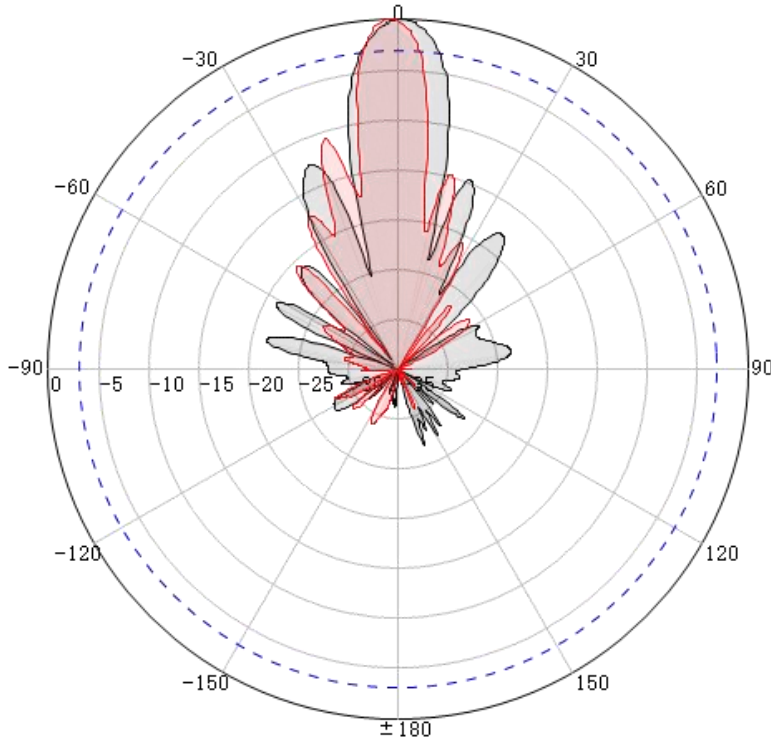


测试频率:2400MHz
测试平面:垂直面
峰值电平:-30.57dB
3dB宽度:13.75°
前后比值:27.30dB

测试频率:2400MHz
测试平面:水平面
峰值电平:-27.57dB
3dB宽度:10.31°
前后比值:29.57dB

Gain:24.05dBi

2400MHz



测试频率:2500MHz
测试平面:垂直面
峰值电平:-30.82dB
3dB宽度:13.78°
前后比值:27.00dB

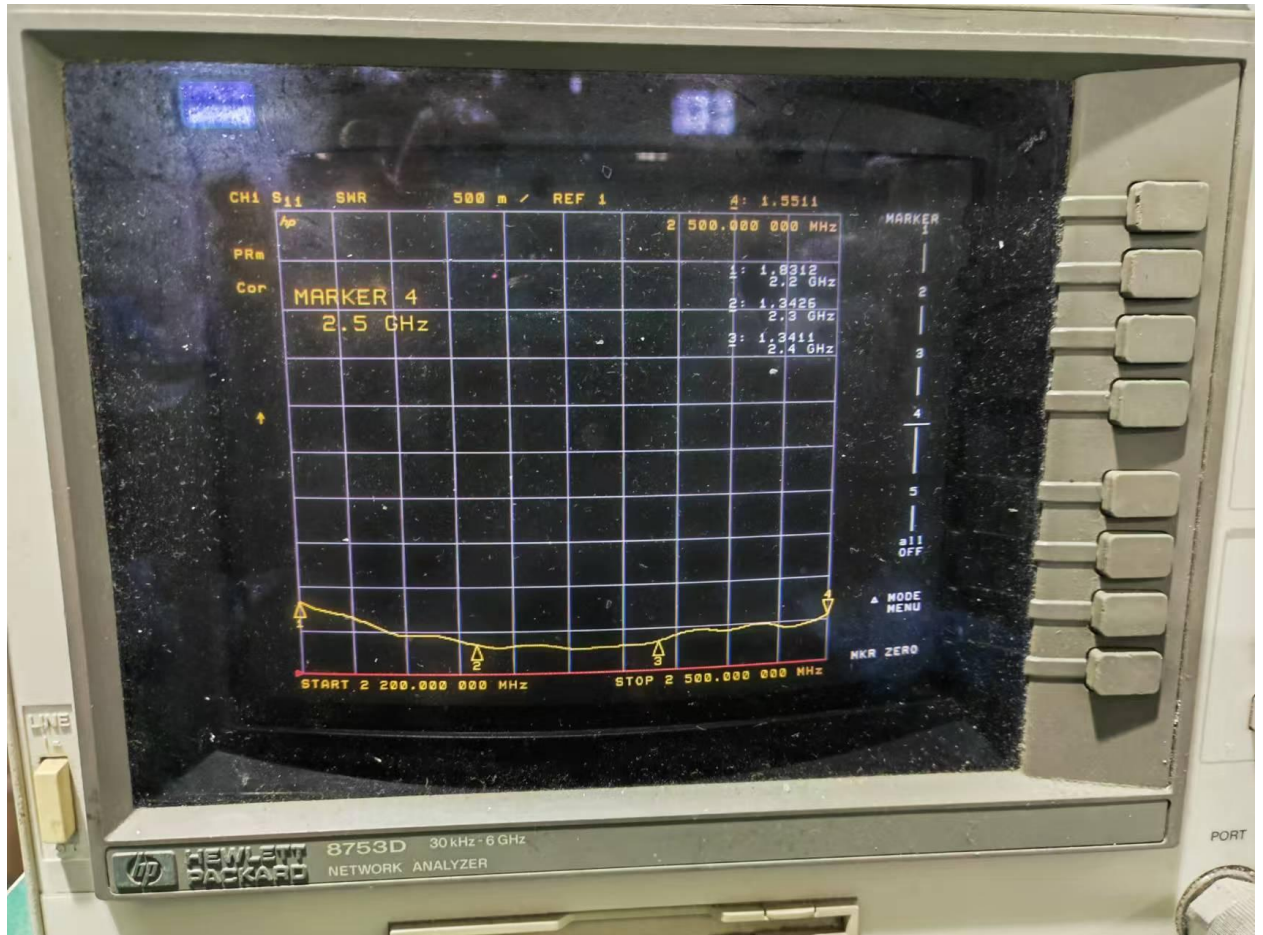
测试频率:2500MHz
测试平面:水平面
峰值电平:-28.75dB
3dB宽度:10.04°
前后比值:28.88dB

Gain:24.16dBi



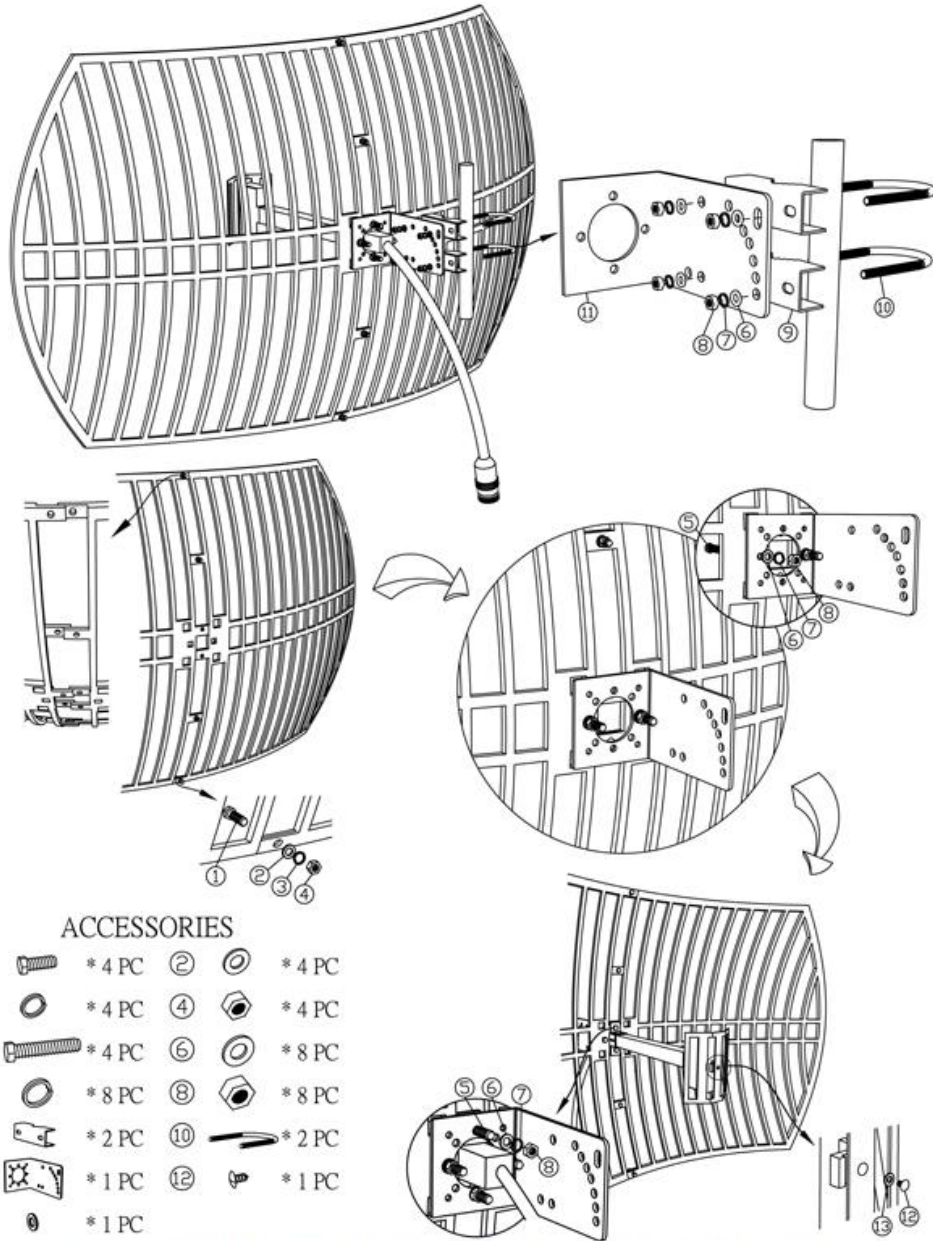
2500MHz

VSWR





Antenna Mounting Direction



All copyrights reserved All copyrights reserved All copyrights reserved All copyrights reserved