



GLOBAL EAST ASIA TECHNOLOGY CO.,LIMITED

Product Name:13mm Ceramic Antenna

product model: GL-DY1304

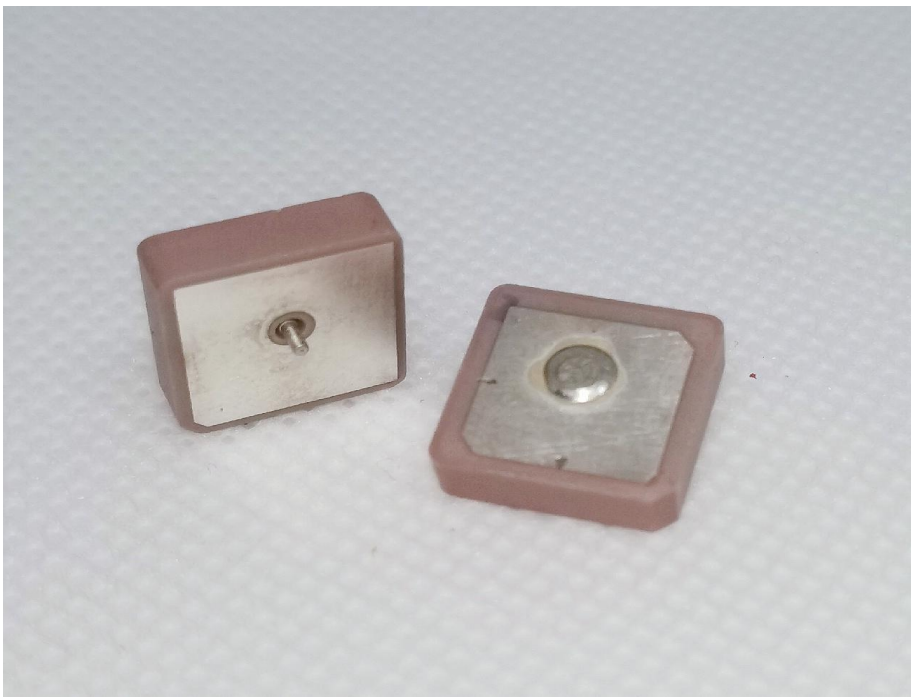
Features

- Small footprint
- Right Hand Circular Polarization
- GPS L1 Band - 1.575 GHz
- RoHS Compliant Product

Applications

- Vehicle navigation and location
- Personal hand held tracking systems
- Healthcare and medical devices
- Small portable tracking equipment

OUTLINE



Add: Room826, Floor 8,BLDG 13, University Science Park(East), Zhengzhou City, P.R.Henan, China.

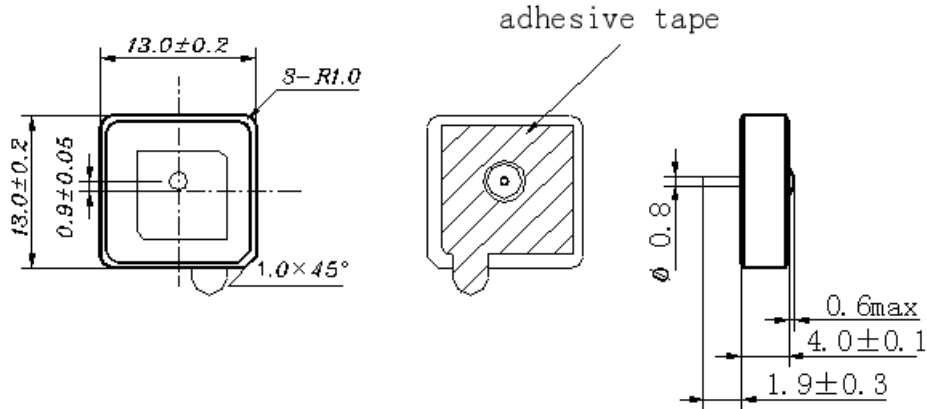
Tel: 86-371-60911368 Email:info@global-antenna.com

Web:<http://www.asialeren.com> <http://www.global-antenna.com>



GLOBAL EAST ASIA TECHNOLOGY CO.,LIMITED

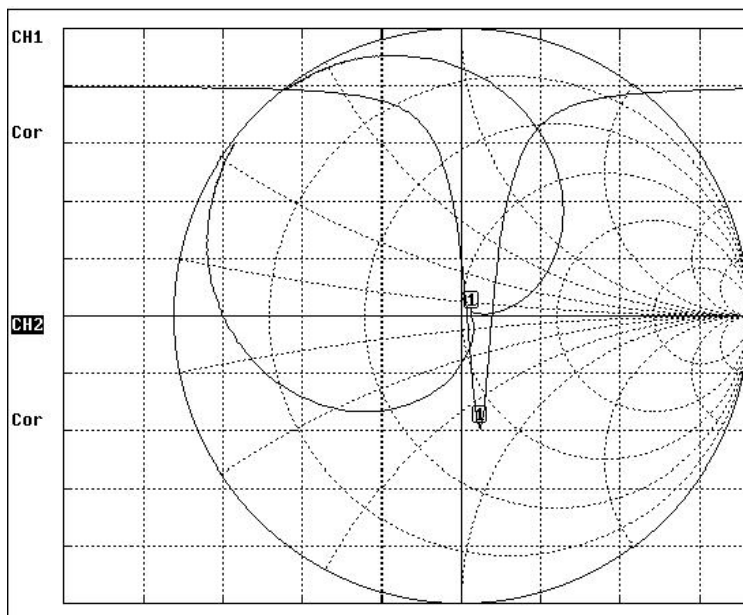
DIMENSION



SPECIFICATIONS

Item	Specifications
Center frequency	1575.42MHz
Bandwidth	± 2 MHz
Reception polarization	RHCP
Gain	-1.5dBic
Output impedance	50 Ω
VSWR at CF max	1.5

Impedance Characteristic(1575MHz)



Add: Room826, Floor 8,BLDG 13, University Science Park(East), Zhengzhou City, P.R.Henan, China.

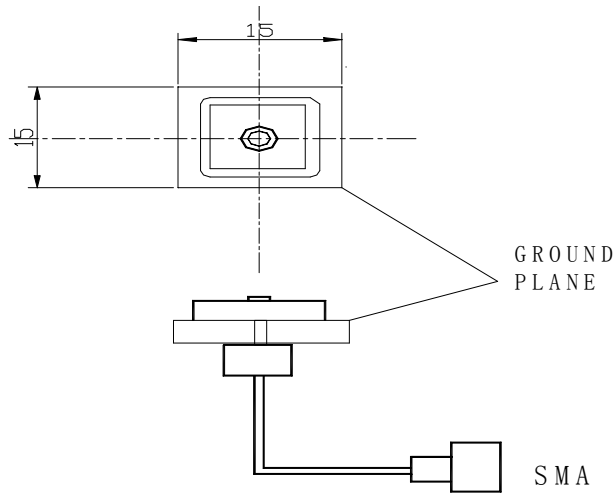
Tel: 86-371-60911368 Email:info@global-antenna.com

Web: <http://www.asialeren.com> <http://www.global-antenna.com>

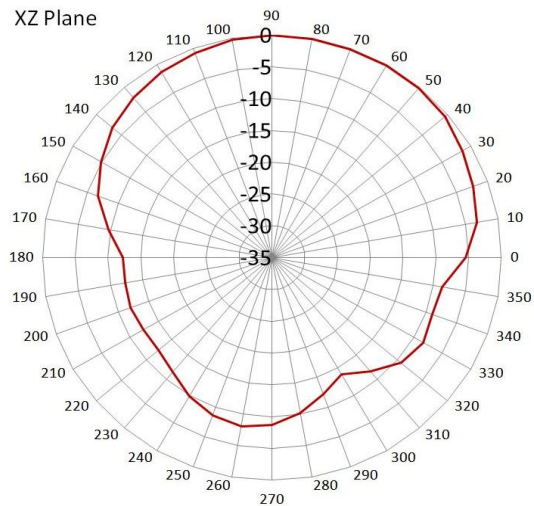
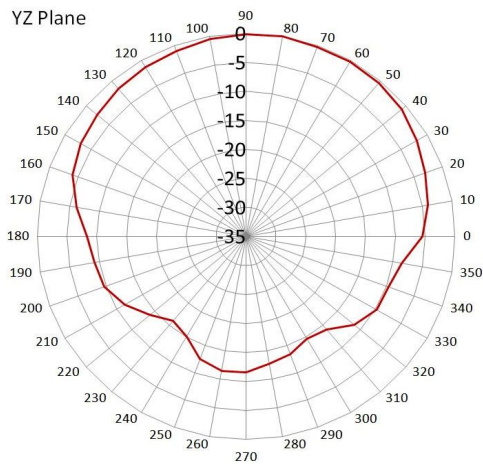
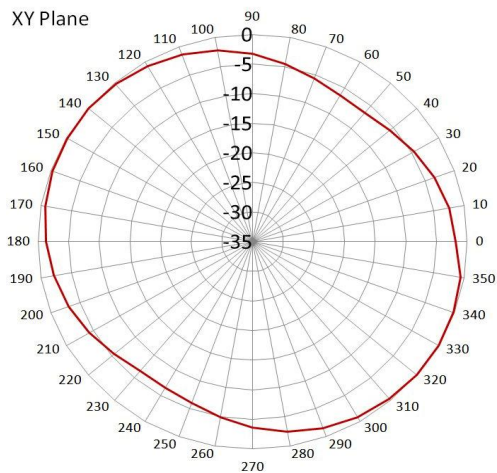


GLOBAL EAST ASIA TECHNOLOGY CO.,LIMITED

Test fixture



Radiation Patterns



Add: Room826, Floor 8,BLDG 13, University Science Park(East), Zhengzhou City, P.R.Henan, China.

Tel: 86-371-60911368 Email:info@global-antenna.com

Web:<http://www.asialeren.com> <http://www.global-antenna.com>