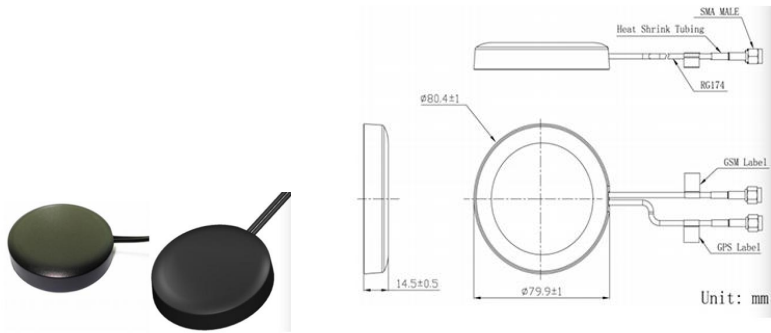


GLOBAL EAST ASIA TECHNOLOGY CO.,LIMITED



Electrical Index		
Product Name	GPSGlonass+ 4G Antenna	
Product Number	GL-DY055	
Frequency Range-MHz	1575.42-1602	698-960/1710-2690
Band Width-MHz	CF±5	262/980
V.S.W.R	≤1.5	≤2.0
Gain-dBi	2.0dBic(Zenith)	2.0
LNA Gain-dBi	28	--
Polarization	RHCP	Linear
Supply Voltage	2.2-5V DC	
Current Consumption	5-15mA	
Input Impedance-Ω	50	
Mechanical Index		
Connector	Fakra or SMA	
Antenna Dimension-mm	Φ80.4*14.5	
Installation way	Magnet	
Ingress Protection	IP65-IP67(exclude cable outlet)	
Vibration	10 to 55MHz with 1.5mm amplitude 2 hours	
Relative Humidity	Up to 95%	
Environmentally Friendly	ROHS Compliant	
Temperature-°C	-40-+85	

Email: info@global-antenna.com Tel: 86-371-58561629 Web: www.global-antenna.com

Add: Room 1124,Block C,Chaoliumao,High-Tech Zone, Zhengzhou,China