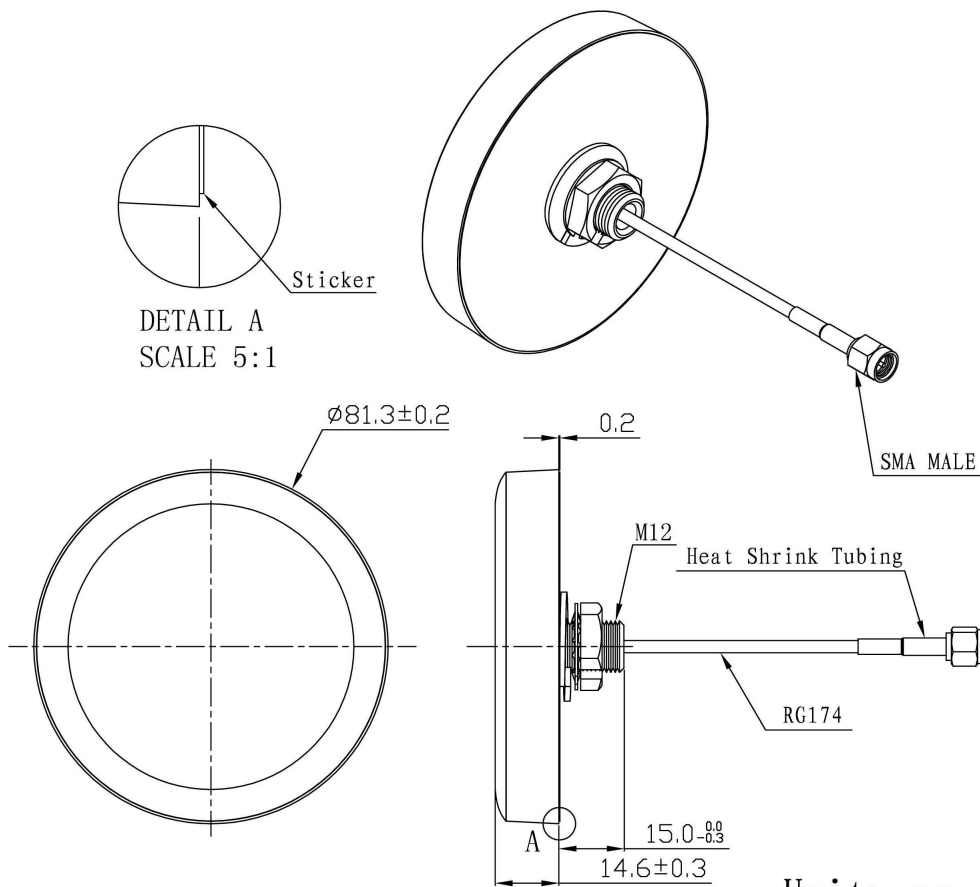




GL-DY008L GPS Glonass Antenna





**GLOBAL EAST ASIA TECHNOLOGY CO.,LIMITED**  
<http://www.global-antenna.com>

Item		Specifications
Antenna	Center Frequency	1568±3MHz
	Band Width	CF±10MHz
	Polarization	RHCP
	Gain	5dBic
	V.S.W.R	<1.5
	Impedance	50Ω
	Axial Ratio	3dB (max)
	Dimension	35*35*3mm
LNA	Gain	28±2dB
	Noise Figure	<1.5dB
	Supply Voltage	3~5V DC
	Current Consumption	<26mA
	V.S.W.R	<2.0
Mechanical	Cable	RG174
	Connector	SMA/MCX/FAKRA or others
	Radome Material	ABS
	Mounting Method	Screw
Environmental	Operating Temperature	-40°C~+85°C
	Relative Humidity	Up to 95%
	Vibration	10 to 55Hz with 1.5mm amplitude 2hours
	Environmentally Friendly	ROHS Compliant