



GLOBAL EAST ASIA TECHNOLOGY CO.,LIMITED
www.global-antenna.com



Item	Specifications	
Antenna	Frequency Range	<u>1565.42-1605.89MHZ</u>
	Bandwidth	40MHz min(10db return loss)
	Polarization	R.H.C.P
	Axial Ratio	3dB(max)
	V.S.W.R	≤1.5
	Impedance	50Ω
	Gain	2dBi(Zenith)
	Dimensions	25*25*4mm
LNA	Gain	<u>27dB±3 dB typ (DC=3V)</u>
	Noise Figure	<u>1.20 dB max (DC=3V)</u>
	Filter Insertion Loss	<3dB
	Voltage	2.75-5V
	Current	<u>16±2mA (DC=3±0.5V)</u>
	External Interference Suppression	35dB Min(800MHz-950MHz) 1800Mhz-1990aMHz
Mechanical Specifications	Radome Dimension	<u>48.4×36.9×16MM</u>
	Radome Material	ABS
	Weight	<u>75±5g</u>
	Connector	Fakra C female or SMA

Add: Room 816-818, Block B,BLDG 18, University Science Park(East), Zhengzhou City,P.R.Henan,China.Zip Code: 450051

Tel: 86-371-60911368

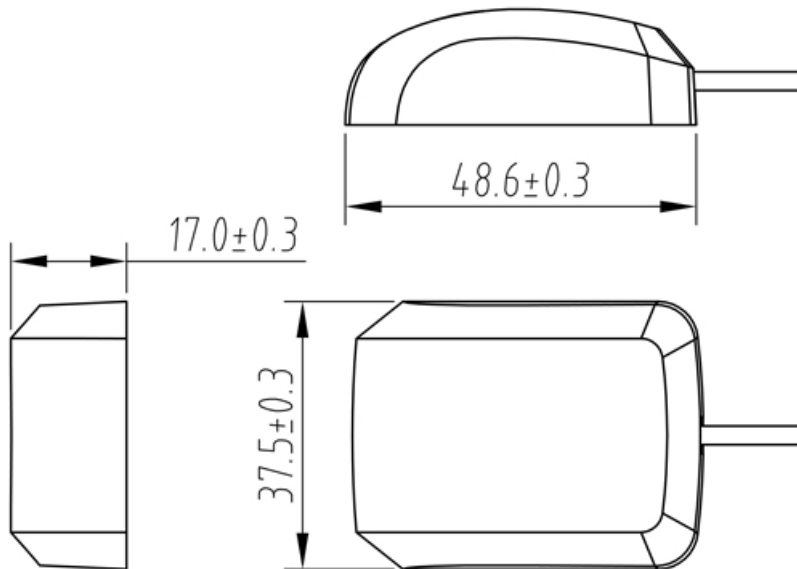
Email: info@global-antenna.com

Web: <https://www.global-antenna.com>



GLOBAL EAST ASIA TECHNOLOGY CO.,LIMITED
www.global-antenna.com

	Radome Color	Black
	Cable Model	RG174,black
	Cable Length	3m
Feature	High stability,Linearity,Consistency,High gain,outside-band interference suppression, Low Noise Figure	
Application	Automobile Navigation,Logistics Positioning and etc	

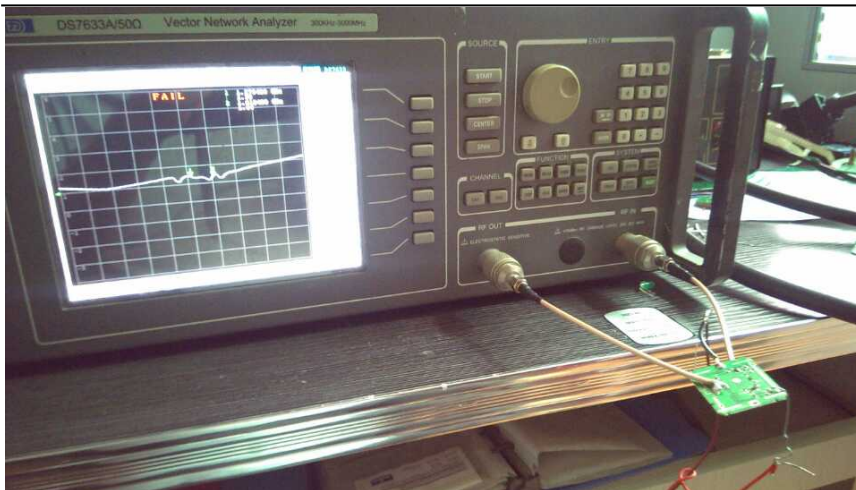


Add: Room 816-818, Block B,BLDG 18, University Science Park(East), Zhengzhou City,P.R.Henan,China.Zip Code: 450051

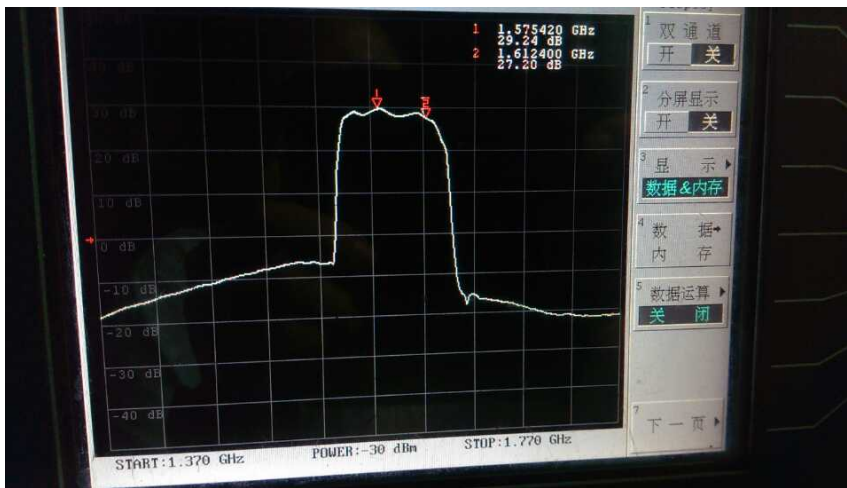
Tel: 86-371-60911368

Email: info@global-antenna.com

Web: <https://www.global-antenna.com>

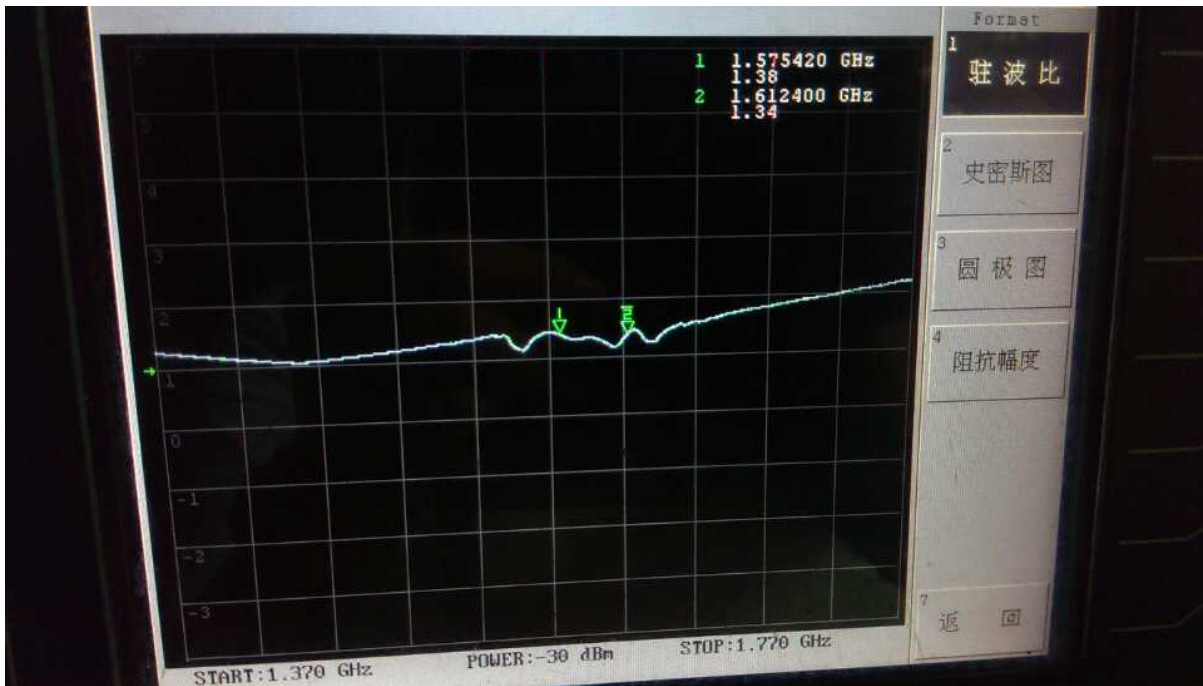


antenna testing



Gain testing

V.S.W.R Testing



Testing Equipments



频谱分析仪



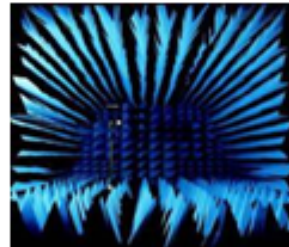
GPS模拟信号源



网络分析仪



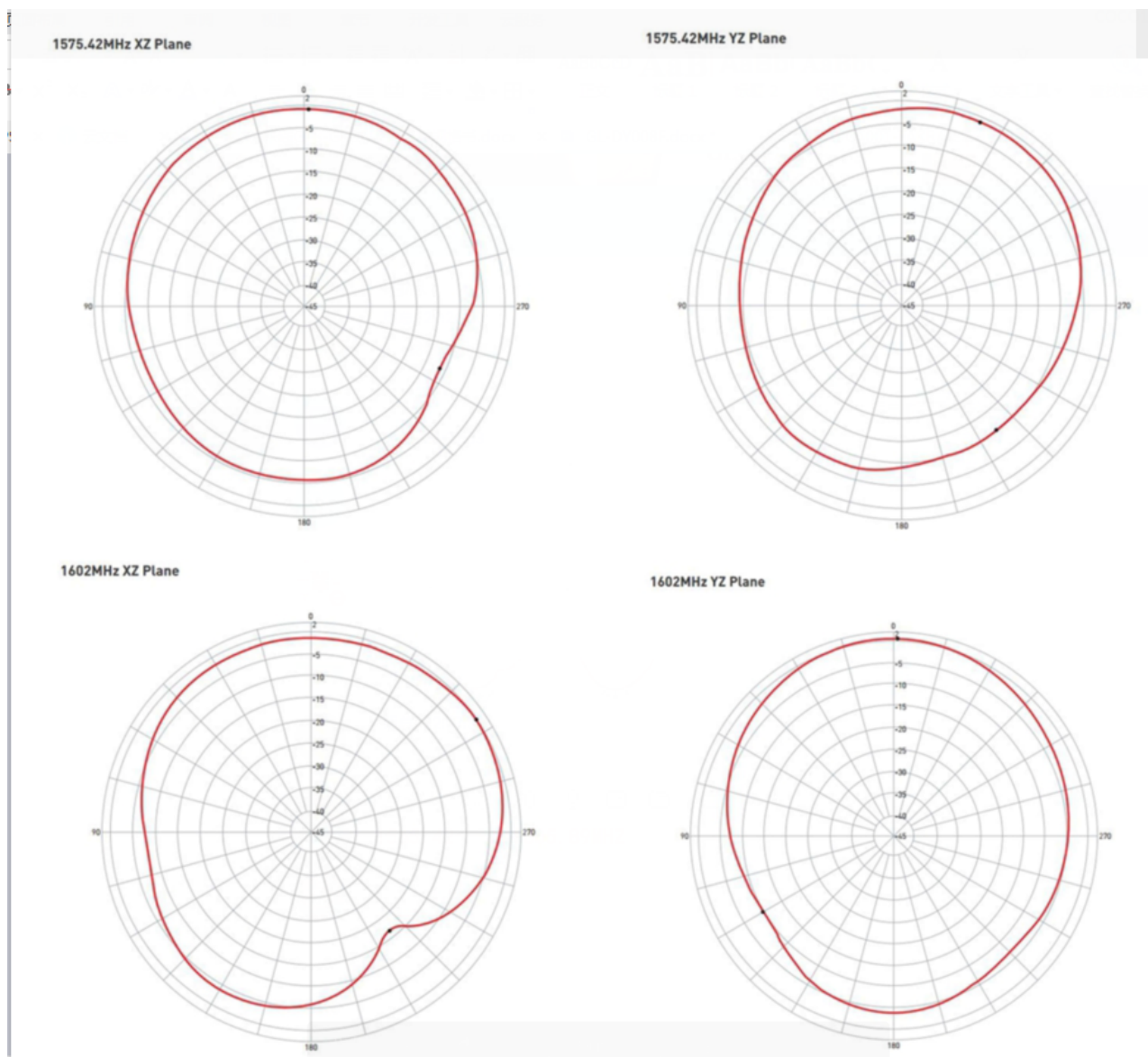
噪音测试仪



电波暗箱



Radiation Pattern



Add: Room 816-818, Block B,BLDG 18, University Science Park(East), Zhengzhou City,P.R.Henan,China.Zip Code: 450051

Tel: 86-371-60911368

Email: info@global-antenna.com

Web: <https://www.global-antenna.com>