

Earth Station Antenna

Model NS-SEC-240 2.4m Antenna

Characteristics:

- Meets or exceeds CCIR 580 and Intelsat requirements;
- Meets Intelsat, Asiasat, Chinasat network access requirement;
- The efficiency of single band communication antenna can reach to 70%;
- High gain, Low sidelobe, High G/T rate;
- Hot-dip zinc processed steel parts, with strong corrosion resistant ability;



Optional Characteristics:

- L band, S band, X band, C band, Ku band, Ka band, QV band, customized frequency available;
 - Structure type: A+E type, A+E-T type, X-Y type.
 - Rx/Tx or 2Rx/2Tx;
 - Optional: Antenna servo system, NPM, BUC, LNB, Modem, spectrum analyzer, BUC support, installation tool, cable etc.;
 - Antenna color: white, silver powder, military green or specified color.
-

RF SPECIFICATIONS**NS-SEC(C)-240****NS-SEC(Ku)-240****NS-SEC(Ka)-240**

Frequency	3.625~4.2GHz	5.85~6.425GHz	10.95~12.75GHz	13.75~14.5GHz	17.7~21.2GHz	27.5~31GHz
Gain, dBi	37.71@3.95GHz	41.98@6.2GHz	47.26@11.85GHz	48.78@14.125GHz	51.4@19.95GHz	54.73@29.25GHz
Polarization	Circular/Linear		Linear		Linear / Circular	
Cross-pol on Axis			≥30dB		/	
VSWR	1.25:1	1.25:1	1.3:1	1.3:1	1.35:1	
Axial ratio 2 port	≤1.3 dB	≤1.3 dB	≤1.3	≤1.3	≤1.5 dB	≤1.5 dB
Axial ratio 4 port	≤0.5 dB	≤0.5 dB	≤0.75	≤0.75	≤1 dB	≤1dB
Feed insertion loss	≤0.2dB	≤0.2dB	≤0.3dB	≤0.3dB	0.6dB	0.6dB

Antenna Noise Temperature

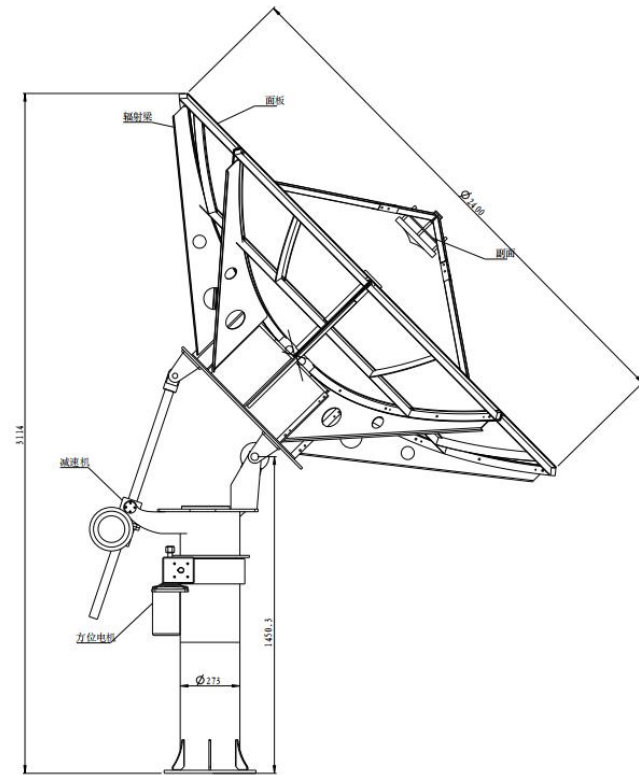
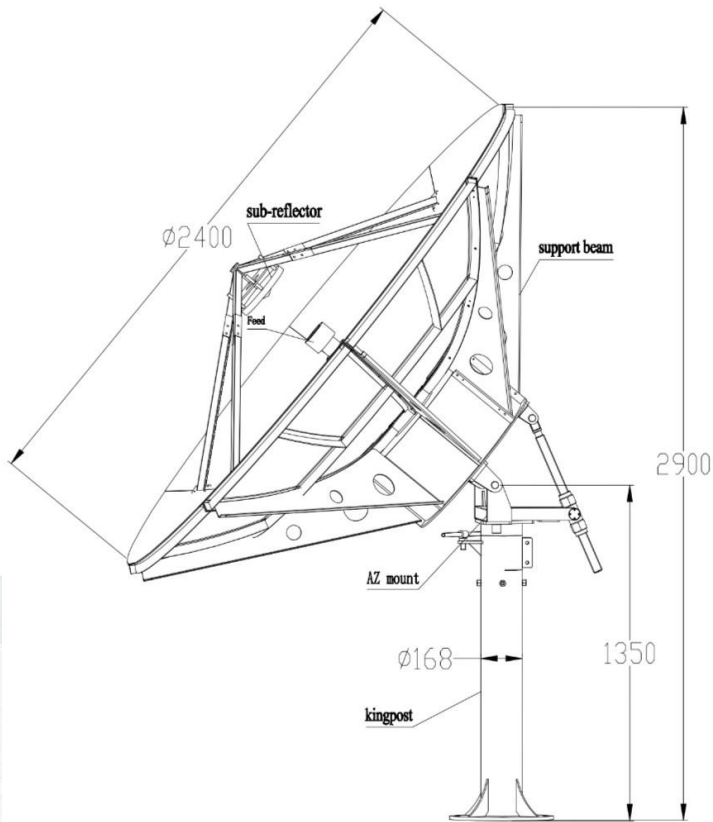
10° Elevation	50.7 K		61.2K		124.5 K	
20° Elevation	44.8K	/	50K	/	86K	/
40° Elevation	40.6 K		43K		60K	
-3dB Beam width	2.3°	1.41°	0.7°	0.63°	0.46°	0.3°
Power capacity	/	2KW	/	2KW	/	2KW
Feed interface	CPR-229G	CPR-137G	WR-75	WR-75	WR-42	WR-28
Isolation, Rx to Tx,	85 dB		85 dB		85 dB	
First Sidelobe	≤-14dB		≤-14dB		≤-14dB	
90% Peaks under Following envelop	29 - 25 logθ(1° ≤θ<20°)		29 - 25 logθ(1° ≤θ<20°)		29 - 25 logθ(1° ≤θ<20°)	

MECHANICAL SPECIFICATIONS

Antenna Diameter		2.4m
Antenna travel range	AZ	5° ~355° (continuous)
	EL	5° ~90°
	Pol	±90°
Antenna Type	Ring focus/center-feed	
Structure	EL over AZ	
Drive Mode	Manual/Motorized	
Surface accuracy(R.M.S)	≤0.5mm(C); ≤0.4mm(Ku); ≤0.3mm(Ka)	

ENVIRONMENT SPECIFICATIONS

Working wind speed	72km/h
Suvival wind speed	216km/h
Humidity	100%
Ice load	Icing 13mm: normal work; Icing 25mm, no damage
Temperature	-30 ~ 50°C
Seismic capacity	Horizontal: 0.3G; vertical: 0.1G
Working wind speed	72km/h



Antenna package:

Manual: total: 1 package, dimension: 2.1 CBM, net weight: 250kg, gross weight: 310kg;

Motirzed: 2 packages, 2.5CBM, net weight: 300kg, gross weight: 384kg

Loading capacity: 8sets for one 20ft container; 16sets for one 40ft container.

Note:

Weight and dimensions for reference only;

Can vary depends on options choosen;

Please confirm with us prior to any shipment.

Antenna test pattern

